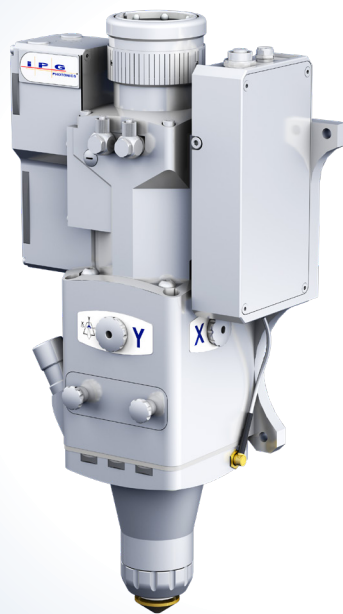


Discover Incredible Productivity with

HIGH POWER CUTTING

UP TO 25 kW

NEW PRODUCT



Applications



Features



Advantages



www.ipgphotonics.com

■ The Power to Transform®

IPGCut-HP Cutting Head

IPG Photonics' Process Heads

Standard Features

IPG's HP cutting heads are designed to provide the highest laser power handling capability in the industry in a completely sealed and lightweight package. The IPGCut-HP provides effortless integration with IPG lasers and offers precise monitoring of height even

under high power and high pressure cutting conditions. Available in multiple configurations with the broadest focus and collimator lens options, the HP is the ultimate tool to cut a multitude of different material types and thicknesses.

Specifications

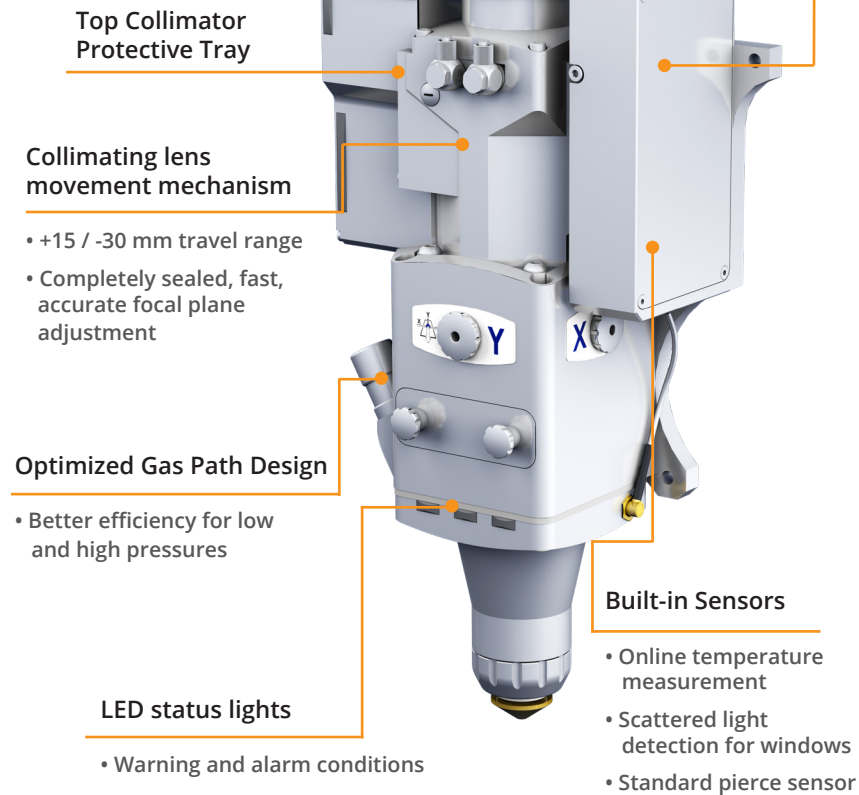
Laser Power	Up to 25 kW
Collimating Lens	100 mm*
Focusing Lens	200 mm*
Weight	~4.7 kg
Focal Plane Movement	+15 / -30 mm Collimating Lens
Control Unit	IPG Control Electronics

Power and Integration

- Highest power handling on the market
- Ready for smart manufacturing integration
- Online monitoring and on-the-fly configurable sensors

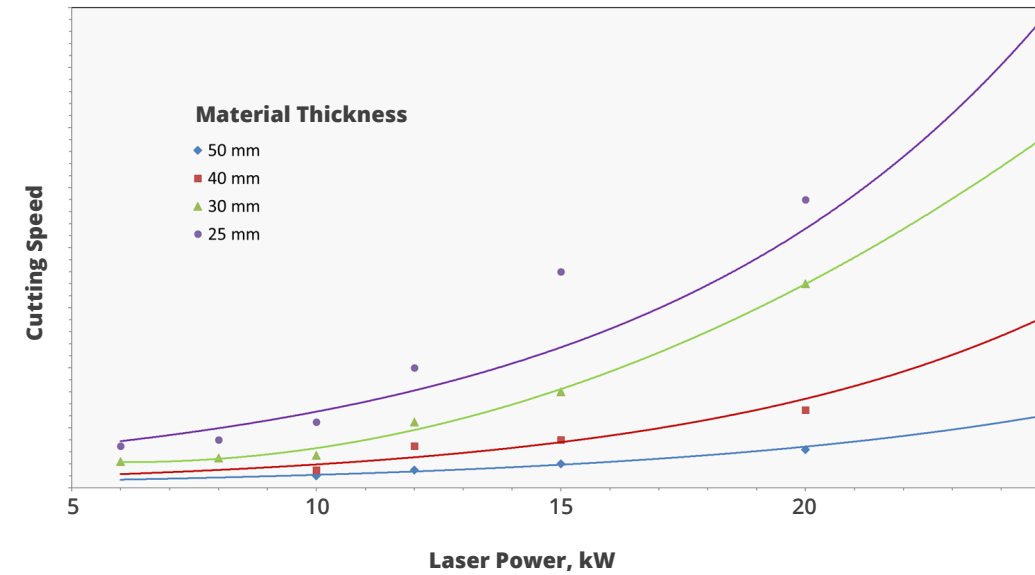
• Contact IPG for other optical configurations

- Lightweight and compact design helps for maximum motion efficiency of cutting systems
- Mechanical design for high acceleration and high power-high speed cutting applications
- Proven sealed dust proof design
- LED status lights
- Pierce sensor detector
- Real-time optics temperature feedback
- Pressure sensors feedback
- Permanent secondary protective window
- Optimized gas path design for low and high pressure process gas
- Various electronics integration options: **Standard IO, FieldBus, EtherCAT**

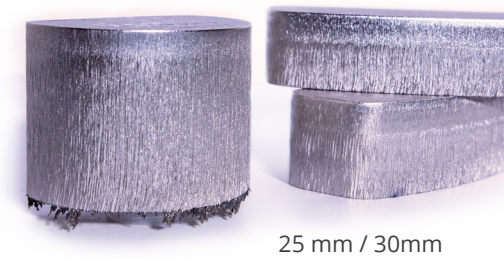


BENEFITS

Improve thick cutting speed and quality with the highest power handling on the market



Stainless Steel 50 mm



ACCESSORIES

Head Part Numbers

- CDT3HS1020HXXXXU - 100/200, HLC16
- CDT3HS1020QXXXXU - 100/200, HLC-8



IPGCUT BASE STANDARD IO	CEU45010381A01XU
IPGCUT BASE ETHERCAT	CEU45010381B00XU
IPGCUT BASE ETHERNET/IP	CEU45010381B01XU
IPGCUT BASE PROFINET	CEU45010381B02XU
IPGCUT BASE CONN KIT 20M	CEU45010406XXXXU

Various electronics integration options: Standard IO, FieldBus, EtherCAT

Nozzle Ceramic

Assembly

- Ceramic Assembly **P30-007834**

Protective Window

Parts Available

- Full Assembly **CDSBOM000124XXXU**
- Optics **COPWXEXXXXX009X**
- Seal **CMSEACX0000001PX**



Sales & Service ■
 Development, Sales & Service ■
 Manufacturing, Development, Sales & Service ■

IPG Photonics Corporation
 World Headquarters
 Oxford, MA USA
 +1 508 373 1100
 sales.us@ipgphotonics.com

IPG Laser GmbH
 European Headquarters
 Burbach, DE
 +49 2736 44200
 sales.europe@ipgphotonics.com

IRE-Polus Co.
 IPG Russia
 Fryazino, Moscow RU
 +7 (495) 702 95 89
 mail@ntoire-polus.ru

Brazil
 +55 11 4380 9939
 sales.br@ipgphotonics.com

China
 +86 10 6787 3377 ext. 1020
 sales@ipgbeijing.com

Czech Republic
 +420 241 433 199
 sales.cz-sk@ipgphotonics.com

France
 +33 (0) 388 674 974
 sales.france@ipgphotonics.com

India
 +91 956 060 8808
 sales.india@ipgphotonics.com

Italy
 +39 0331 170 6900
 sales.italy@ipgphotonics.com

Japan
 +81 45 716 9831
 info@ipgphotonics.co.jp

Mexico
 +52 81 1354 2540
 ipgmexico@ipgphotonics.com

Poland
 +48 32 721 22 20
 sales.poland@ipgphotonics.com

Singapore
 +65.667.87709
 sales.singapore@ipgphotonics.com

South Korea
 +82 42 930 2000
 ipgk@ipgphotonics.com

Spain & Portugal
 +34 937 999 971
 sales.spain@ipgphotonics.com

Taiwan
 +886 2 27 93 3582
 ahung@ipgphotonics.com

Turkey
 +90 216 306 0317
 sales.turkey@ipgphotonics.com

United Kingdom & Ireland
 +44 0 117 203 4060
 sales.uk@ipgphotonics.com

www.ipgphotonics.com

IPG Photonics manufactures a wide range of laser products with laser classifications ranging from Class I to Class IV. Please review the individual product specification for the optical performance characteristics specific to the device. This information typically includes the wavelength range, output power (CW and/or Peak), Pulse Energy, Pulse Repetition Rate, Pulse Width, etc.

